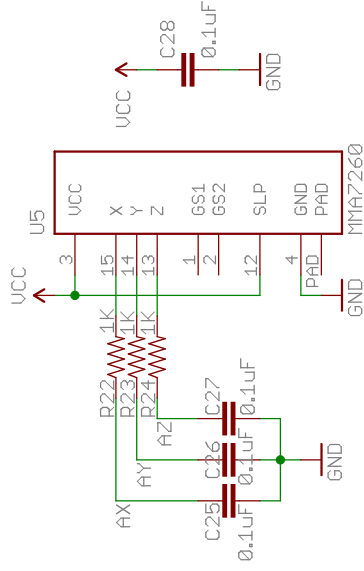
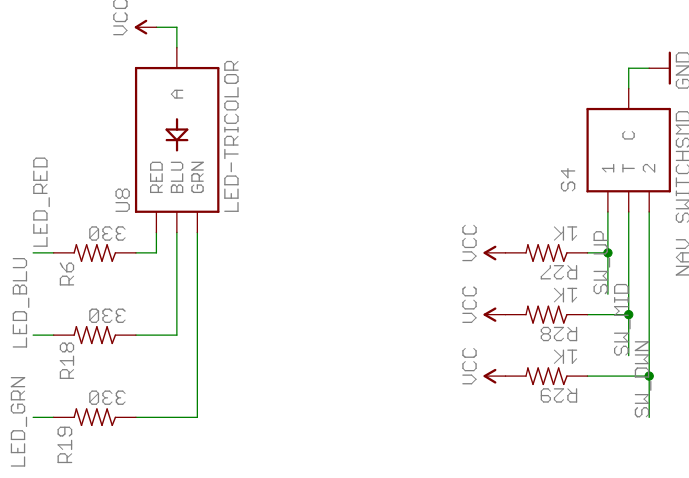


UC and Memory	
TITLE: Belt Buckle MP3-v11	
Document Number:	
SFE	REV:
Date: 9/19/2008 9:34:12 PM	
Sheet: 1/3	

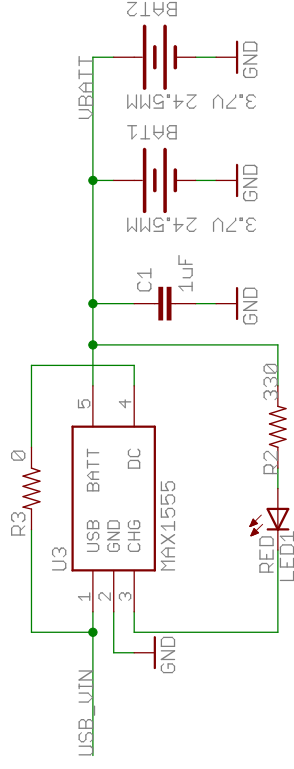
Accelerometer



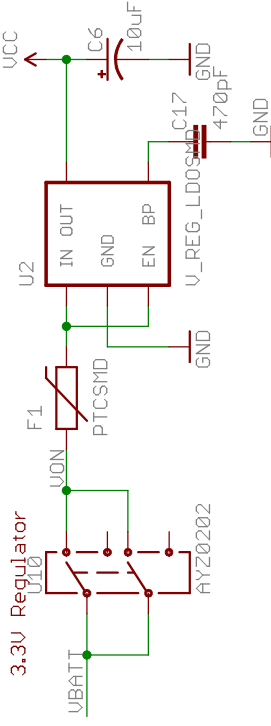
User I/O



Charge Circuit



3.3V Regulator



Power and Peripherals

TITLE: Belt Buckle MP3-v11

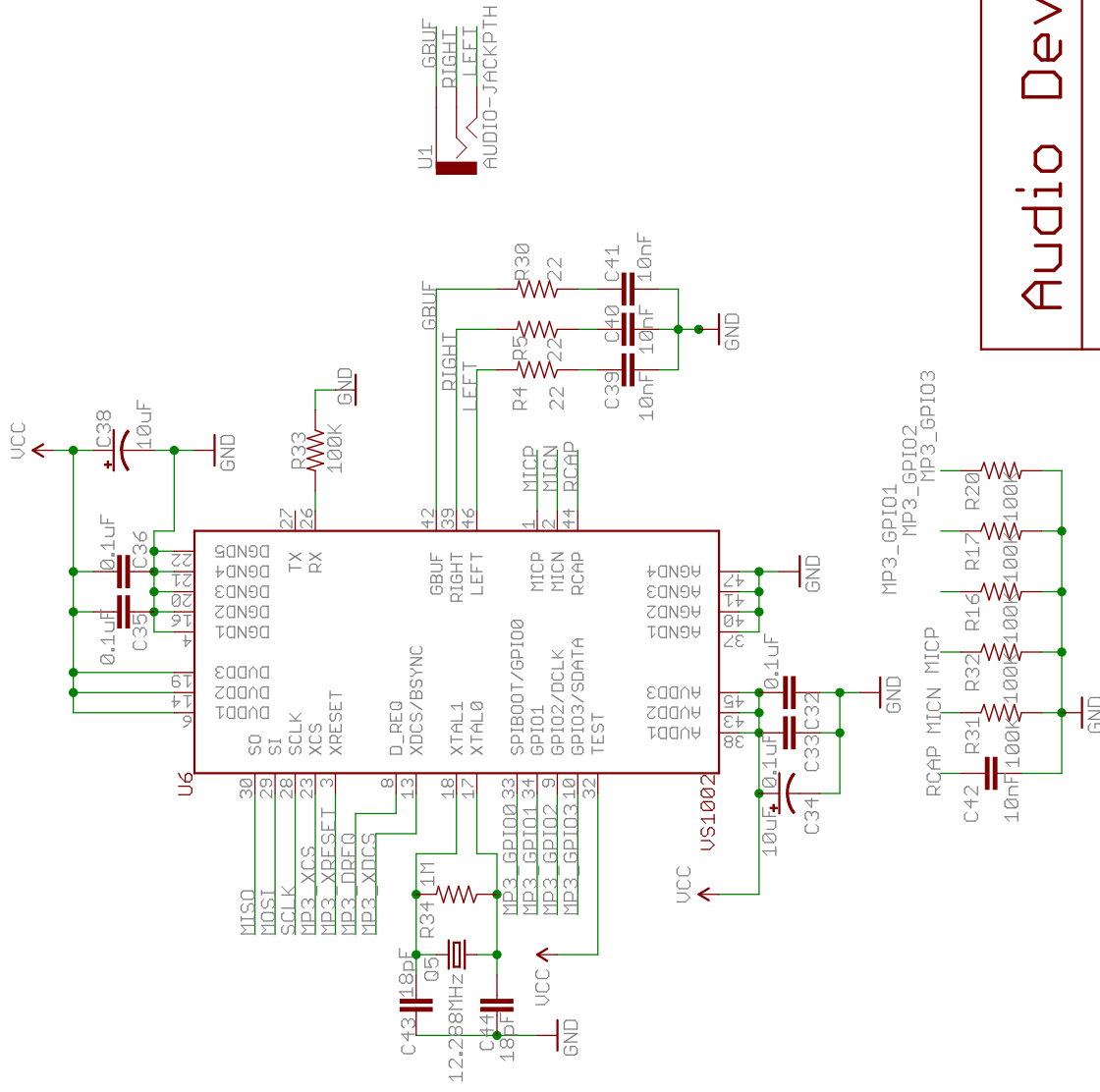
Document Number:

REV:

Date: 9/19/2008 9:34:12 PM

Sheet: 2/3

MP3 Codec



Audio Devices

TITLE: Belt Buckle MP3-v11

Document Number:

REV:

Date: 9/19/2008 9:34:12 PM

Sheet: 3/3